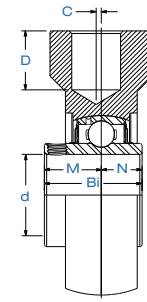
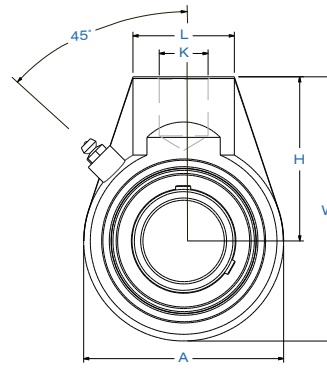




# SUCSHAM 200

Normal-Duty Hanger Bearing Unit  
Setscrew Lock



Seal Styles



Standard Seal with Flinger



Triple-Lip L3 Seal

Bearing Number	Shaft Dia.	Dimensions in. mm.										Load Rating lbs. kN.		Bearing Insert	Housing Number	Wt.	
	d in. mm.	A	W	C	H	L	D	K	Bi	N	M	Dynamic Cr	Static Cor			lbs. kg.	
SUCSHAM 201	12														SUC 201		
SUCSHAM 201-8	1/2														SUC 201-8		
SUCSHAM 202	15														SUC 202		
SUCSHAM 202-10	5/8	2.52	3.78	0.00	2.52	1.57	0.75	PF 3/4	1.2205	0.5000	0.7205	2,331	1,142		SUC 202-10	SHAM 204	1.8
SUCSHAM 203	17	64.0	96.0	0.0	64.0	40.0	19.0		31.0	12.7	18.3	10.37	5.08		SUC 203		0.8
SUCSHAM 204-12	3/4														SUC 204-12		
SUCSHAM 204	20														SUC 204		
SUCSHAM 205-14	7/8														SUC 205-14		
SUCSHAM 205-15	15/16	3.07	4.06	0.00	2.52	1.57	0.75	PF 3/4	1.3425	0.5630	0.7795	2,542	1,349		SUC 205-15	SHAM 205	2.0
SUCSHAM 205	25	78.0	103.0	0.0	64.0	40.0	19.0		34.1	14.3	19.8	11.31	6.00		SUC 205		0.9
SUCSHAM 205-16	1														SUC 205-16		
SUCSHAM 206-17	1 1/16														SUC 206-17		
SUCSHAM 206-18	1 1/8														SUC 206-18		
SUCSHAM 206	30	3.07	4.06	0.00	2.52	1.57	0.75	PF 3/4	1.5000	0.6260	0.8740	3,554	1,942		SUC 206	SHAM 206	2.0
SUCSHAM 206-19	1 3/16	78.0	103.0	0.0	64.0	40.0	19.0		38.1	15.9	22.2	15.81	8.64		SUC 206-19		0.9
SUCSHAM 206-20	1 1/4														SUC 206-20		
SUCSHAM 207-20	1 1/4														SUC 207-20		
SUCSHAM 207-21	1 5/16														SUC 207-21		
SUCSHAM 207-22	1 3/8	3.62	4.57	0.00	2.76	1.57	0.75	PF 3/4	1.6890	0.6890	1.0000	4,683	2,626		SUC 207-22	SHAM 207	2.6
SUCSHAM 207	35	92.0	116.0	0.0	70.0	40.0	19.0		42.9	17.5	25.4	20.83	11.68		SUC 207		1.2
SUCSHAM 207-23	1 7/16														SUC 207-23		
SUCSHAM 208-24	1 1/2														SUC 208-24		
SUCSHAM 208-25	1 9/16	3.78	4.76	0.08	2.87	1.57	0.75	PF 3/4	1.9370	0.7480	1.1890	5,294	3,057		SUC 208-25	SHAM 208	3.3
SUCSHAM 208	40	96.0	121.0	2.0	73.0	40.0	19.0		49.2	19.0	30.2	23.55	13.60		SUC 208		1.5
SUCSHAM 209-26	1 5/8														SUC 209-26		
SUCSHAM 209-27	1 11/16	4.25	5.35	0.20	3.23	1.89	0.83	PF1	1.9370	0.7480	1.1890	5,923	3,507		SUC 209-27	SHAM 209	4.0
SUCSHAM 209-28	1 3/4	108.0	136.0	5.0	82.0	48.0	21.0		49.2	19.0	30.2	26.35	15.60		SUC 209-28		1.8
SUCSHAM 209	45														SUC 209		
SUCSHAM 210-30	1 7/8														SUC 210-30		
SUCSHAM 210-31	1 15/16	4.65	5.59	0.20	3.27	1.89	0.83	PF1	2.0315	0.7480	1.2835	6,402	4,046		SUC 210-31	SHAM 210	4.6
SUCSHAM 210	50	118.0	142.0	5.0	83.0	48.0	21.0		51.6	19.0	32.6	28.48	18.00		SUC 210		2.1
SUCSHAM 210-32	2														SUC 210-32		
SUCSHAM 211-32	2														SUC 211-32		
SUCSHAM 211-34	2 1/8	4.96	6.22	0.28	3.74	2.36	0.98	PF1 1/4	2.1890	0.8740	1.3150	7,931	5,036		SUC 211-34	SHAM 211	7.3
SUCSHAM 211	55	126.0	158.0	7.0	95.0	60.0	25.0		55.6	22.2	33.4	35.28	22.40		SUC 211		3.3
SUCSHAM 211-35	2 3/16														SUC 211-35		
SUCSHAM 212-36	2 1/4														SUC 212-36		
SUCSHAM 212	60	5.59	6.81	0.35	4.02	2.36	1.10	PF1 1/4	2.5630	1.0000	1.5630	9,554	5,921		SUC 212	SHAM 212	8.1
SUCSHAM 212-38	2 3/8	142.0	173.0	9.0	102.0	60.0	28.0		65.1	25.4	39.7	42.50	26.34		SUC 212-38		3.7
SUCSHAM 212-39	2 7/16														SUC 212-39		

**MARINER**®